

MOUNTING INSTRUCTIONS

HI-FIRE COLLECTION MANTLEPIECE LIGERO



TABLE OF CONTENTS

<u>Mantle piece “LIGERO”</u>	Page 3
Guarantee	
<u>Place the basic mantle piece “LIGERO”</u>	Page 3
Preparation	
<u>Place the basic mantle piece “LIGERO” with socle</u>	Page 3
Housing gas-supply pipe Place socle and mantle piece	
<u>Place the basic mantle piece “LIGERO” with socle and decorative duct</u>	Page 4
Remark Maintenance	
<u>Drawings and situation sketches</u>	Pages 5 - 9
The “LIGERO” mantle piece consists of three partly deliveries, being;	
Basic mantle piece	
4x Table bolts M10 x 60	
4x Plugs U-10 mm	
4x Nut M10	
4x Body ring M10	
Socle (additional)	
1x Coupling square	
1x Cover 3/8”	
Decorative duct (additional)	
2x Coach screws 6x30	
2x Plugs U-8 mm	

CHANGES RESERVED
(0/03022006)

1. Mantelpiece “LIGERO”

The mantelpiece LIGERO is a design that can be applied in many interiors because of its many possibilities. Thanks to the partly deliveries you can compose the mantelpiece according to your wishes. All partly deliveries are separately packed in a box. At delivery you should immediately check the mantelpiece and the partly deliveries you have selected for any (transport) damage. If this is found, you should inform your supplier on this as accurately as possible right away. See for this the delivery document. Before placing the mantelpiece LIGERO and the HI-FIRE basic unit, we advise you to carefully read the accompanying MOUNTING INSTRUCTIONS AND OPERATING AND INSTALLATION INSTRUCTIONS in order to avoid problems during mounting.

Guarantee

See HI-FIRE basic unit

2. Place the basic mantelpiece “LIGERO” (see page 5 fig. 1)

Attention

Before placing the HI-FIRE basic unit (1), first the mantelpiece is to be put on the place you have carefully chosen. Because the mantelpiece is rather sturdy and heavy, we advise you to lay the box with the contents on the back. First remove the carton accessories from the box. Now the mantelpiece (2 and 3) can carefully be taken out of the box. Dismount the door (3) by lifting it from its hinges. Check the mantelpiece for any damage.

Preparation

It is of major importance that you do not place the mantelpiece (2) too high, otherwise you will look at the bottom of the appliance. We advise you not to exceed a maximum height of 350 mm measured from the floor to the bottom side of the mantelpiece (see page 8 figs. 4 and 5). At the rear side of the mantelpiece there are four fixing holes for hanging the mantelpiece on the wall. Drill the hole pattern as indicated on page 5 fig. 1. Put the table bolts into the wall. Now you can fasten the HI-FIRE basic unit (1) to the mantelpiece. Unscrew the six bolts delivered with the HI-FIRE basic unit (1) from the unit. Lift the mantelpiece over the basic unit and fasten the mantelpiece with the six bolts onto the basic unit. Place and fasten the entire appliance with the delivered M10 nuts and body rings on the wall. For connecting and installing the HI-FIRE basic unit (1) we refer to the OPERATING AND INSTALLATION INSTRUCTIONS of this unit. Finally place the door (3) on the hinge points intended for this again so that you can close the door.

3. Place the basic mantelpiece “LIGERO” with socle (see page 6 fig. 2)

Place socle and mantelpiece (see page 6 fig. 2)

Attention

Before placing the HI-FIRE basic unit (1) and the socle (5), first the mantelpiece is to be put on the place you have carefully chosen. Because the mantelpiece is rather sturdy and heavy, we advise you to lay the box with the contents on the back. First remove the carton accessories from the box. Now the mantelpiece can carefully be taken out of the box. Dismount the door (3) by lifting it from its hinges. Check the mantelpiece for any damage. Take the socle (5) out of the box and check this for damage.

Preparation

Housing gas-supply pipe (see page 9 fig. 6)

As the HI-FIRE is a basic unit, the gas-supply connection may need to be moved. This also applies to the combination you have chosen.

As a standard the HI-FIRE has a connecting point at the back, but if the socle is applied this will no longer be accessible. Therefore the connecting point is to be moved to the side (see page 7). Carefully lay the appliance on the back and take the delivered supply pipe, screw the delivered cover (B) (pack well) onto the end of the 3/8" pipe and now screw the pipe at the back of the block. Unscrew the plug (A) on the side (inlet side, arrow into the direction of the block) and mount the delivered square coupling (C) (pack well) on this. Check for leakage. After this the stop cock is to be placed behind the cover of the socle (5).

Place appliance

With the HI-FIRE basic unit (1) so-called adjustment bolts (6) are delivered. Fully unscrew these adjustment bolts (6) and subsequently place the basic unit (1) on the socle (5). Position the unit in such a way, that the fixing holes are exactly aligned. Fasten both parts by placing the adjustment bolts (6) again and tighten these Well. At the rear side of the mantelpiece there are four fixing holes for hanging the mantelpiece on the wall. In this case the mantelpiece is attached to the wall by means of two table bolts at the top. Drill the hole pattern as indicated on page 6 fig. 1. Put the table bolts into the wall. Now you can attach the HI-FIRE basic unit (1) including socle to the mantelpiece. Unscrew the six bolts delivered with the HI-FIRE basic unit (1) from the unit. Lift the mantelpiece over the basic unit and attach the mantelpiece to the basic unit using the six bolts. Place and fasten the entire appliance to the wall with the delivered M10 nuts and body rings. **Do not tighten the M10 nuts yet** in order to enable easy removal of the socle from under the appliance for installing the gas-supply pipe. Install the gas-supply pipe and connect this to the appliance (see page 3 "Housing gas-supply pipe"). Place the socle again and now fix the entire appliance by tightening the M10 nuts. For connection and installation of the HI-FIRE basic unit (1) we refer to the OPERATING AND INSTALLATION INSTRUCTIONS of this unit. Finally, you can place the door (3) again on the hinge points intended for this, so that you can close the door.

Place the basic mantelpiece "LIGERO" with socle and decorative duct (see page 7 fig. 3)

This combination enables you to discharge the flue duct (4) upwards. The placing order is equal to the one above, but with the difference that a decorative duct is to be placed as well and a break-away plate (7) is to be removed. You can remove this break-away plate (7) by carefully moving it up and down with a tongs without damaging the mantelpiece until it is loose. First remove the carton accessories from the box. Very carefully take the decorative duct from the box and check this for any damage. When the appliance has been mounted to the wall, you place the decorative duct (8) and sliding part (9) onto the mantelpiece (2). Move the sliding part (9) up to the ceiling after which you can mark off the holes on the ceiling for fastening. Remove the decorative duct (8) and sliding part (9) from the mantelpiece (2) and then place the parts of the flue duct as indicated in the OPERATING AND INSTALLATION INSTRUCTIONS of the basic unit HI-FIRE. After this has been done, you can place the decorative ducts (8) and the sliding part using the materials delivered.

Remark.

As a standard, the basic unit HI-FIRE is delivered with a radiation plate. In case of the LIGERO mantelpiece this plate does not need to be placed and applied.

See OPERATING AND INSTALLATION INSTRUCTIONS of the basic unit HI-FIRE.

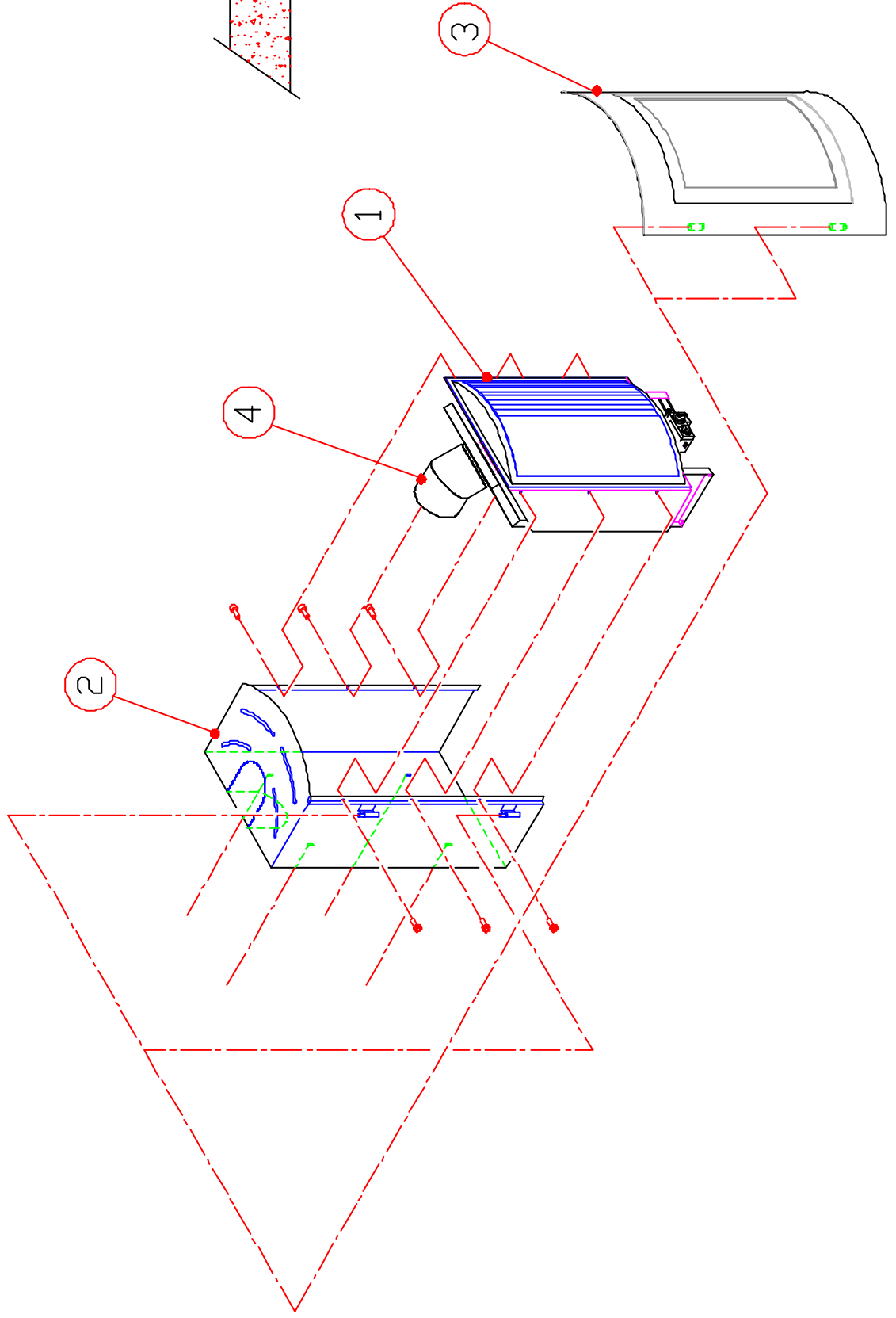
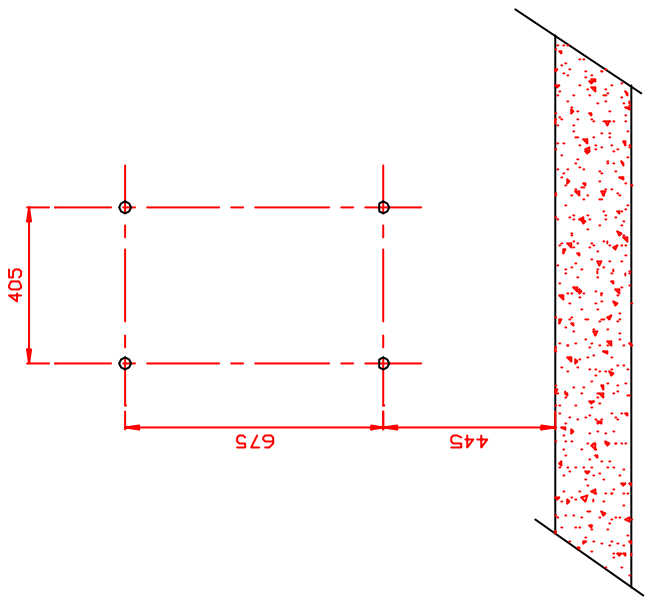
(Fig. 1-N on page 11).

Maintenance.

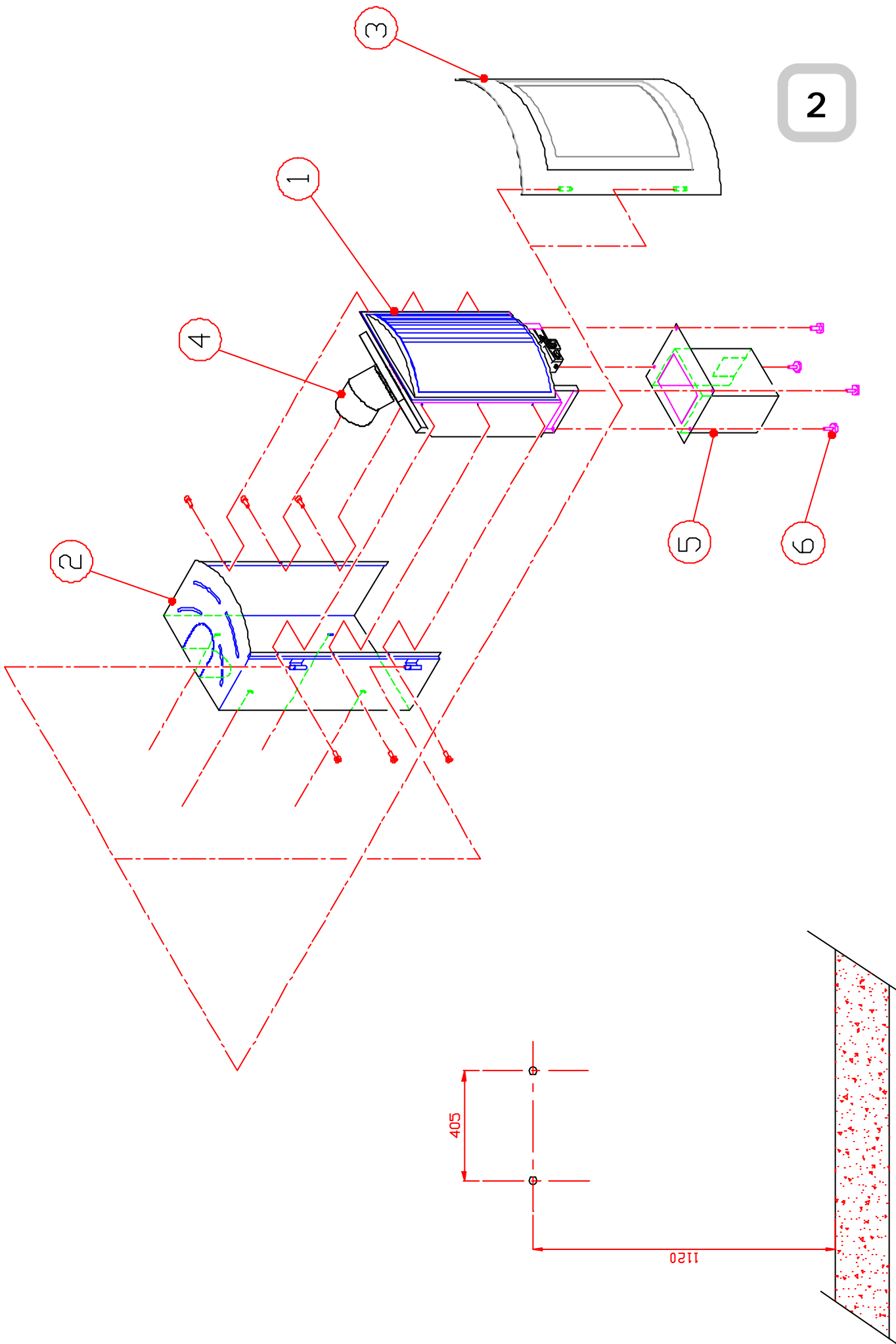
The mantelpiece can be wiped with a soft, moist cloth. If anything is spilled on the heater, the appliance should be turned off immediately. After the appliance has cooled down, the stains can be removed with suds of soft soap. **Never use an abrasive!** Any deposit on the glass can be removed with the help of a so-called glass cleaner.

We wish you very much heating pleasure.

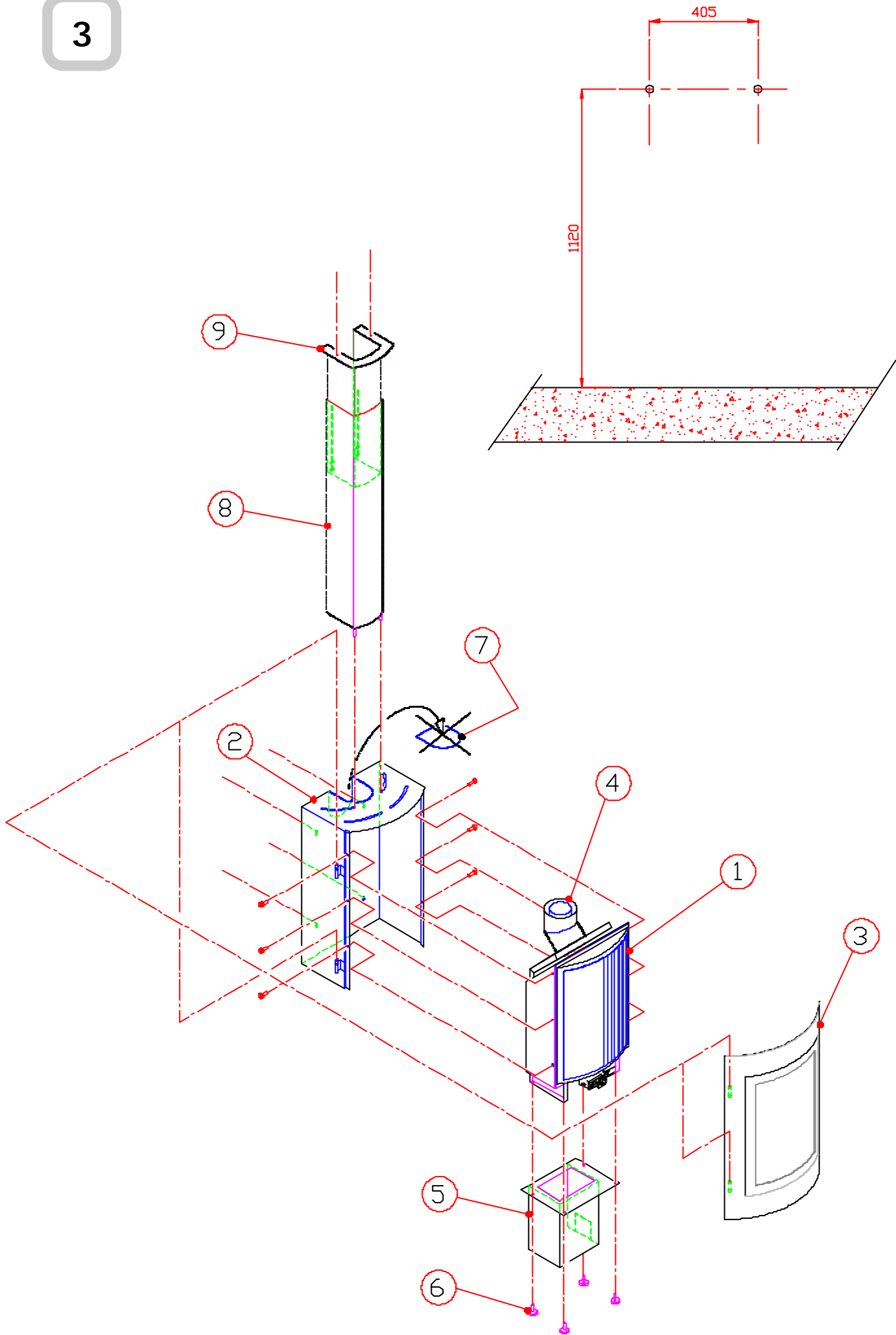
1

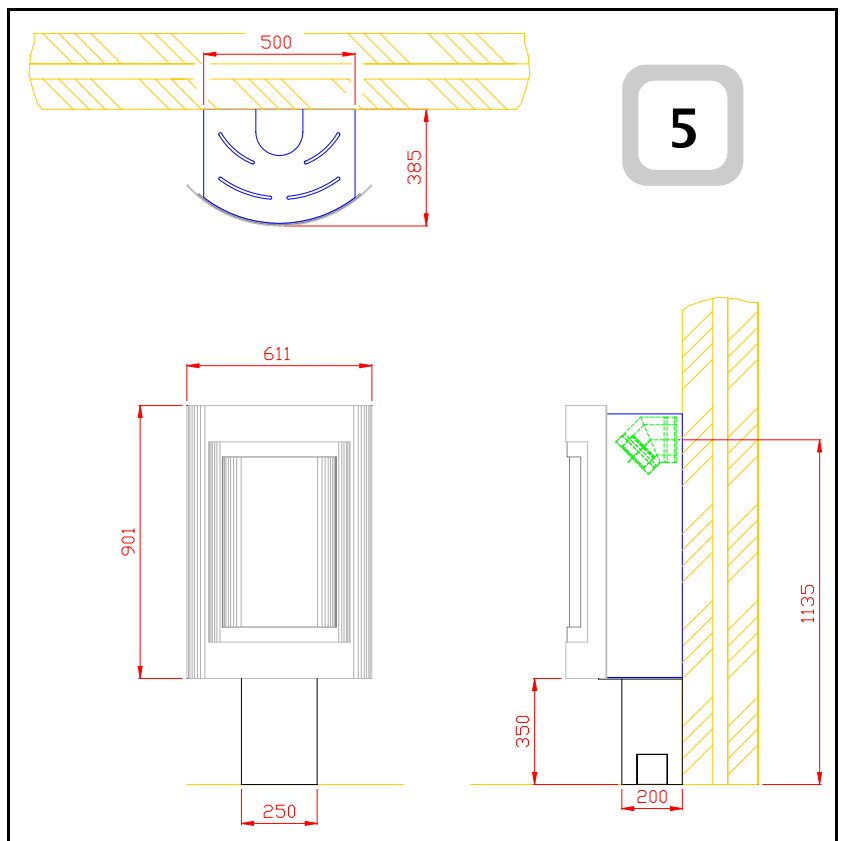
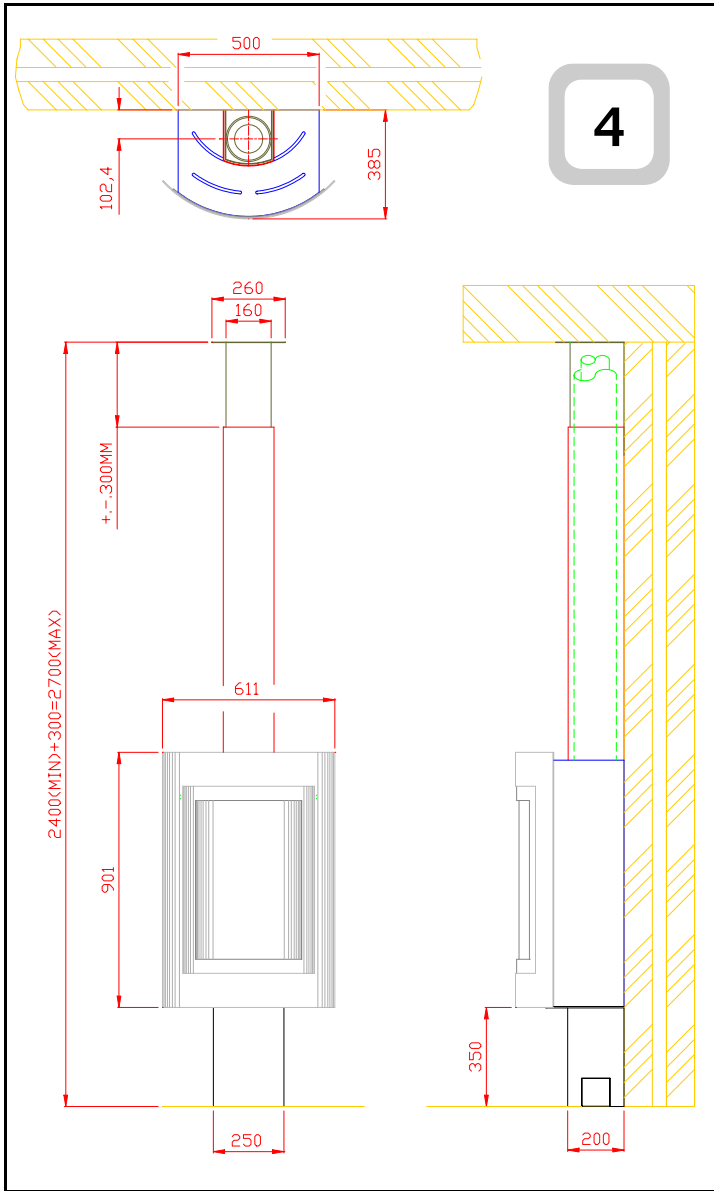


2



3





6

